

3rd International Conference on Electrical and Electronics Engineering [ICEEE 2022] Prepared by Dr. Rabindra Nath Shaw, Director International Relations, BIHER

The 3rd International Conference on Electrical and Electronics Engineering (ICEEE) 2022 was jointly organized by School of Engineering, The University of Malaya, Kuala Lumpur, Malaysia, and Faculty of Engineering, Bharath Institute of Higher Education & Research (Deemed to be University), Chennai, India on 8th and 9th January 2022. ICEEE 2022 has emerged as a premier conference to bring researchers, scientists, and industry professionals to discuss novel ideas in the field of computing, power, and communication. This year, the conference was joined by researchers, students, and industry professionals from many countries all over the world. Due to the Covid-19 pandemic, the conference was organized online. The conference held in collaboration with National Power Training Institute, Ministry of Power, Government of India and Springer Nature as publication partner. There were 10 tracks in the conference covering almost all areas of Electrical and Electronics Engineering.



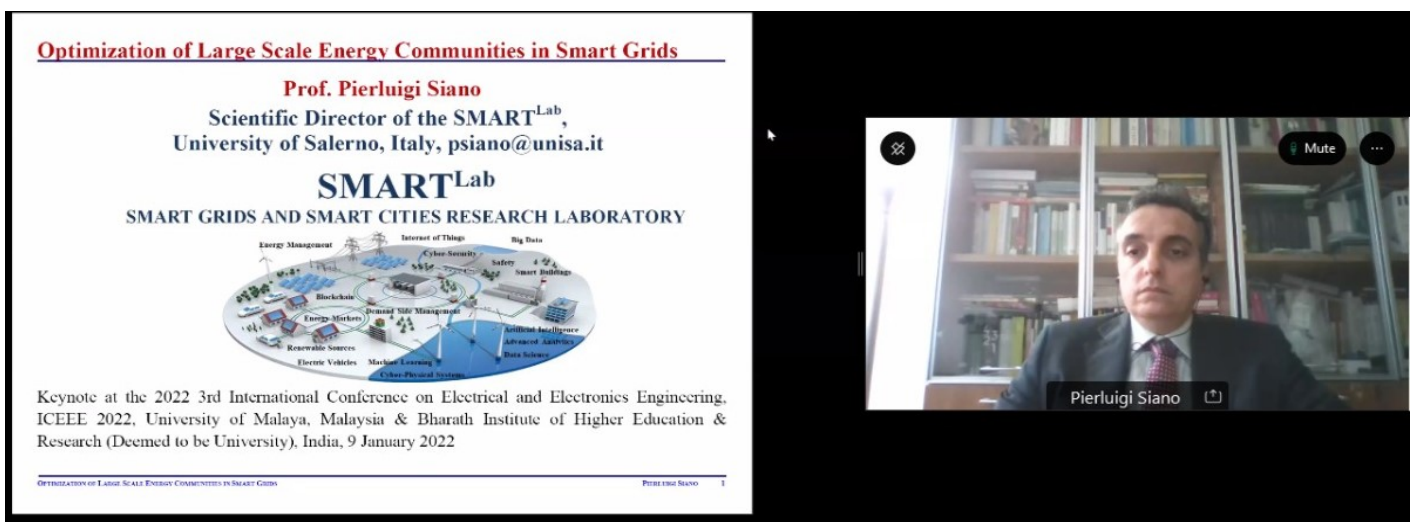
In the inaugural session of ICEEE 2022, opening remarks were given by Prof. K. V. B. Raju Vice Chancellor, Bharath Institute of Higher Education & Research (Deemed to be University), Chennai, India. Chief Guest Dr. Arun Tripathi, Ex Director General, National Institute of Solar Energy & Consultant, Ministry of New and Renewable Energy, Govt. of India has given a outstanding talk about the recent development of renewable energy. The guests of honour of the conference present were Prof. Pelusi Danilo, Faculty of Communication Sciences, University of Teramo, Italy, Prof. Saad Mekhilef, Distinguished Professor, Swinburne University of Technology, Australia, Dr. Nishad Mendis, National Sales and Engineering Leader -Renewable Energy, Bureau Veritas, Group Greater Melbourne, Australia, Prof. Hazlie Mokhlis , Faculty of Engineering, University of Malaya, Malaysia, Prof. Valentina E. Balas, Faculty of Engineering, University "Aurel Vlaicu" Arad, Romania, Prof. SP Daniel Chowdhury, Electrical Engineering Department, Tshwane University of Technology, Pretoria, RSA, and Prof. Venkatesh Babu, Pro-Vice Chancellor, Bharath Institute of Higher Education & Research (Deemed to be University), Chennai, India.



The conference commenced with a keynote speech "Wide-Area Monitoring and Control of Power Systems using Phasor Measurement Units" by Prof. Lasantha Meegahapola, Discipline of Electrical & Biomedical Engineering, RMIT University, Australia. This was followed by concurrent paper presentation panels FD1 to FD3 in 3 technical sessions. On completion of these three, another 3 technical sessions FD4 to FD6 started and then FD7 to FD9. On the first day 52 papers were presented with the participation of 97 authors. At the end of the technical session Keynote II session started from 6 PM IST. Topic was "Artificial Intelligence for Industry and Environment" delivered by Prof. Vincenzo Piuri, (FIEEE), University of Milan, Italy. A good number of audiences attended the session.



Second day began with 2 back to back Keynote sessions. From 10.00 AM to 11.00 AM IST, Keynote III topic, "Wireless Electric Vehicle Charging: IPT technology, Current status, Research problems, & Recent Developments" delivered by Prof. Duleepa Thrimawithana, The University of Auckland, Auckland, New Zealand and then from 11.00 AM to 12.00 PM IST Keynote IV, "Photovoltaic Architectures and Systems - New Reading" delivered by Prof. Mohamed Orabi, School of Electrical and Power Engineering Aswan University Aswan City, Egypt. Technical session started at 12 noon. Technical session conducted with three parallel sessions. Total nine technical sessions conducted on the second day attended by more than 100 authors.



At the end of the technical sessions Keynote V started with the topic "Optimization of Large Scale Energy Communities in Smart Grids" delivered by Prof. Pierluigi Siano, Department of Management & Innovation Systems, University of Salerno, Italy.

ICEEE 2022 concluded with a closing session. Dignitaries announced the names of the 'Best Paper' awardees. The organizers shared their experiences and the attendees shared the feedback. The session ended with vote of thanks delivered by Prof. Rabindra Nath Shaw, Conference Chair and Director, International Relations, Bharath Institute of Higher Education & Research (Deemed to be University), Chennai, India.

Best Paper Award

Sl. No.	Paper ID	Paper Title	Authors	Country
1	55	Automatic Access Application of ICG and ECG Signals	Hadjer Benabdallah, Salim Kerai	University of tlemcen, Algeria
2	74	An Adaptive & Coordinated Traffic Signal Scheme for Greener Transport 4.0	Gayashan Weerasundara, Pasindu Udugahapattuwa, Thamali Munasingha, Kasun Gunathilake and Udaya Dampage	Sri Lanka
	124	Anchal Thakur, Loganathan Umanand and Subba Reddy	Design of 1kVA Shunt Compensator test bench	IISC Bangalore
	135	Performance Evaluation of Field Aged Polymer Insulators	G Nithin Reddy, Subba Reddy B, M Ramez Halloum, Jangamreddy Rajasekhar Reddy, Febin Francis and Kiran Kumar Reddy B	IISC Bangalore
5	157	A Comparative Harmonic Suppression Analysis of Single Phase Half Bridge Grid Connected Inverter in Rotatory Frame of Reference with Integral Control Strategy	Hassan Khalid, Saad Mekhilef and Marizan Binti Mubin	Malaysia

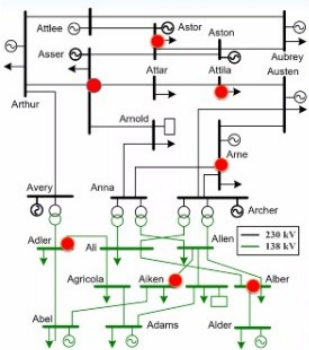
Best Paper Award

Sl. No.	Paper ID	Paper Title	Authors	Country
6	159	Use of Openflow to Manage Network Devices	Yogesh Kumar Chekoory and Avinash Utam Mungur	Mauritius
7	218	Virtual Inertia Control Strategy for High Renewable Energy-Integrated Interconnected Power Systems	Anuluwapo Aluko, Rudiren Pillay Carpanen, David Dorrell and Evans Ojo	South Africa
8	173	Decarbonizing Indian Electricity Grid	Parvathy Sobha	Luleå Technical University, Sweden Nepal
9	195	A Novel Deep learning based Nepali Speech Recognition	Basanta Joshi, Bharat Bhatta, Sanjeeb Prasad Panday and Ram Krishna Maharjan	Nepal
10	225	Design and Neural Control for Insect-Copter for Smooth Perching on Outdoor Vertical Surface	Sandeep Gupta, Laxmidhar Behera	IIT Kanpur

Best Paper Award

Sl. No.	Paper ID	Paper Title	Authors	Country
11	277	A Sparse-Dense HOG Window Sampling Technique for Fast Pedestrian Detection in Aerial Images	Ranjeet Kumar and Alok Kanti Deb	IIT Khargpur
12	296	Network Load Balancing for Edge-Cloud Continuum Ecosystems	Andrzej Paszkiewicz, Marek Bolanowski, Cezary Ćwikła, Maria Ganzha, Marcin Paprzycki, Carlos E. Palau and Ignacio Lacalle Úbeda	Poland
13	302	A Modified SVPWM Strategy to Improve the Performance of Variable Frequency Induction Motor Drives	Nazmul Islam Nahin, Shuvra Prokash Biswas and Md. Rabiul Islam	Bangladesh
14	303	A High Performance Multi-Pulse AC-DC Converter for Adjustable Speed Motor Drives	Sharmin Shila, Shuvra Prokash Biswas and Md. Rabiul Islam	Australia
15	304	Passivity-Based Control of Tidal Turbine Based PMSG Using Interconnection and Damping Assignment Approach	Youcef Belkhier, Thiziri Makhlof, Younes Sahri and Mohit Bajaj	Czechia

Phasor Measurement Technology



Wide-area monitoring system can be created using intelligently placed Phasor Measurement Units (PMUs)


Ph. V. Vemaganti



Lasantha (Cohost)

The University of Auckland

- Highest ranked New Zealand university and 85th in the Q5 World University Ranking
- Over 5,000 staff members and 40,000 students
- Nine faculties including Medical & Health Sciences, Engineering, Business & Economics and Science



Duleepa J Thrimawithana | Department of Electrical, Computer and Software Engineering (2020)



Duleepa J Thrimawithana

Meeting Info Hide Menu Bar ^

Video Participant Meeting Breakout Sessions Help

relations

Arun Tripathi- Adviser MNRE, Director General NISE (Cohost)

Breakout Sessions Help

PVC Cohost Lasantha Cohost

PVC (Cohost)

Dr.J.Hameed Hussain Dean Engineering (Cohost)